

Kress

KUD20.9

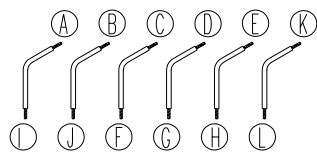
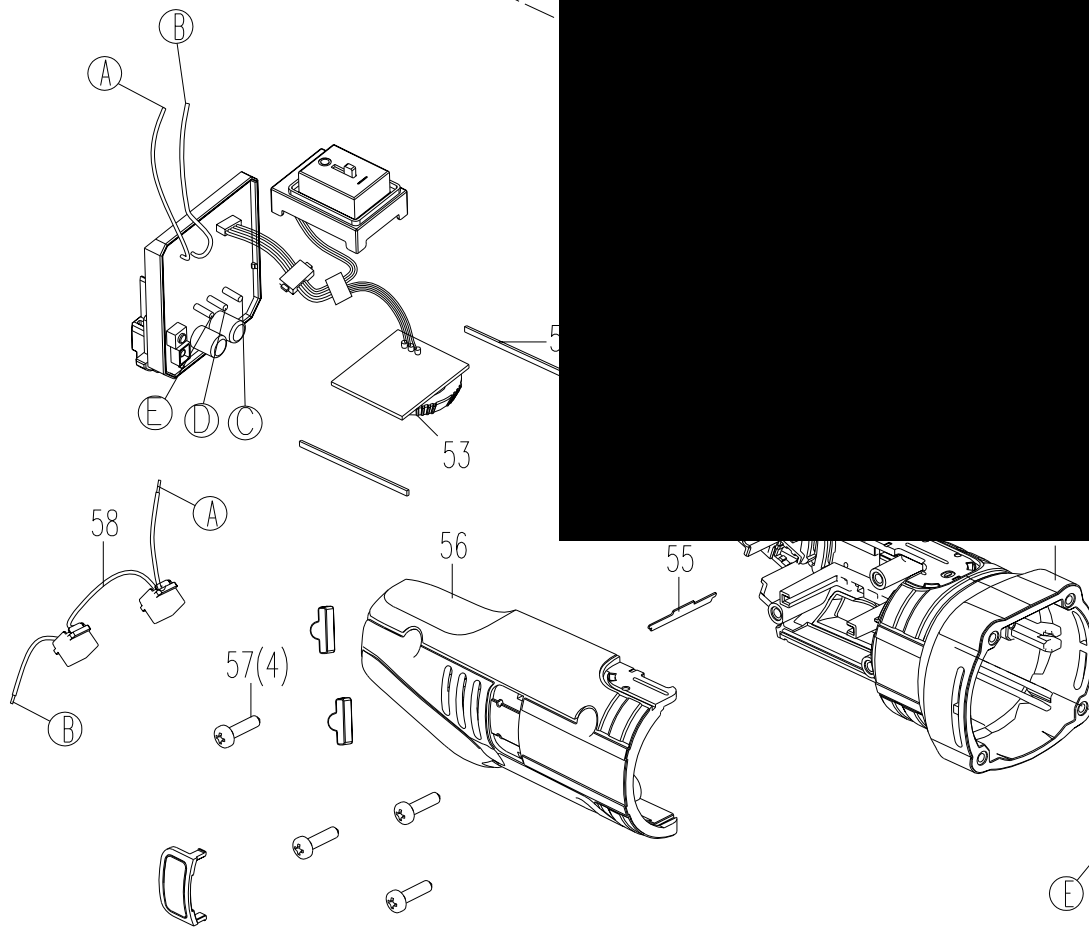
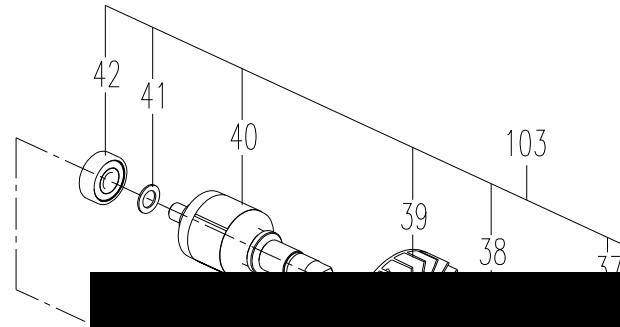
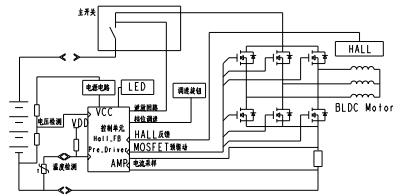


Rotary Sander 20V BL 125mm

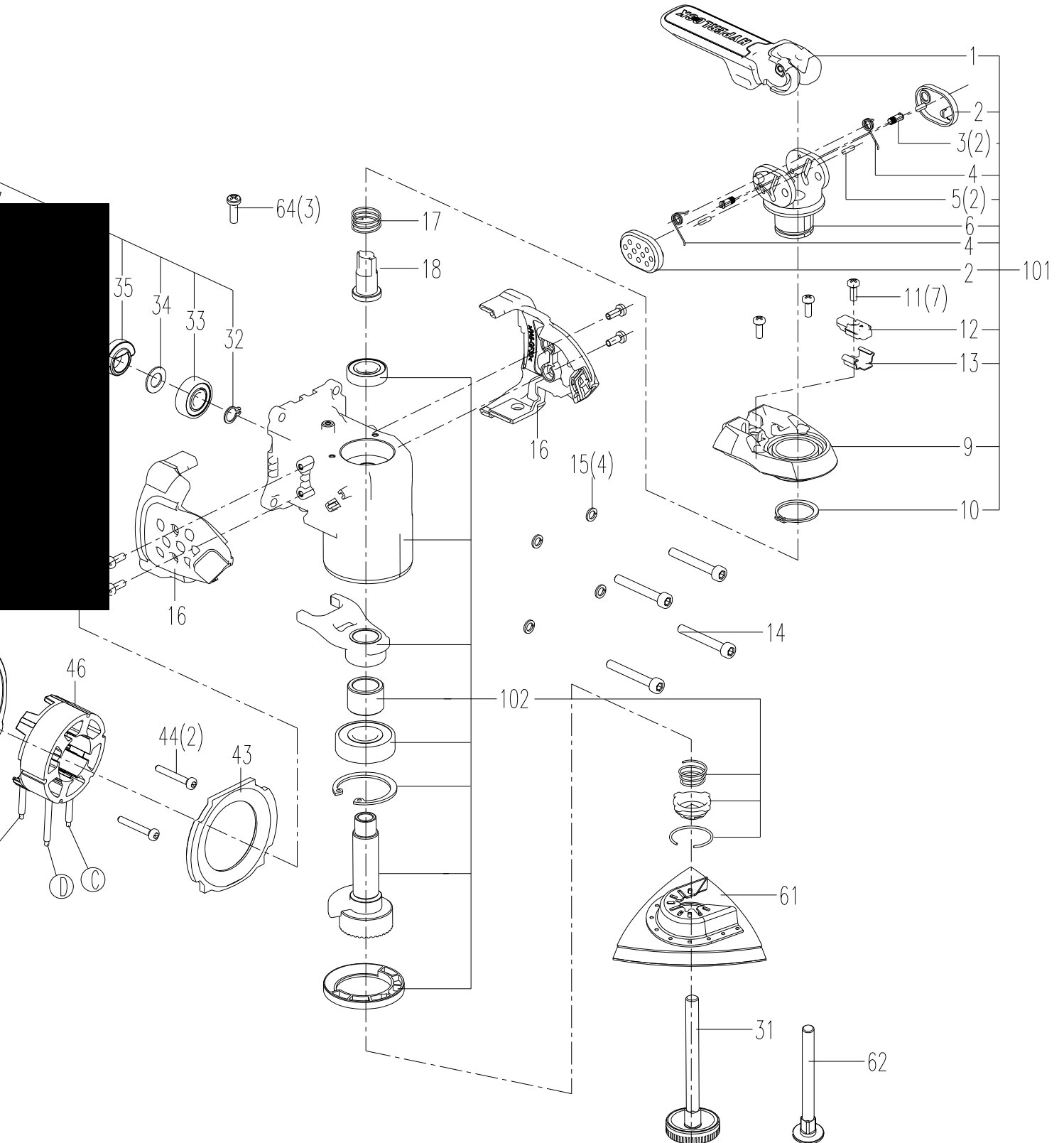
Version:00
Date:221102

Illustration

Electric circuit



ation



Spare parts list

Model	Position	Part number	Description	Quantity
KUD20.9	1	60075832	Screw	1
KUD20.9	2	60075833	Left/Right Housing	1
KUD20.9	3	60075834	Top Cover	1
KUD20.9	4	60075835	Screw	4
KUD20.9	5	60075836	Switch Cover	1
KUD20.9	6	60075837	Switch	1
KUD20.9	7	60075838	Control Board	1
KUD20.9	9	60075839	Screw	4
KUD20.9	10	60075840	Connector	1
KUD20.9	13	60075841	Steel Wire	1
KUD20.9	14	60075842	Dust Bag	1
KUD20.9	16	60075843	Electrode Holder	1
KUD20.9	17	60075844	Screw	2
KUD20.9	18	60075845	Stator	1
KUD20.9	19	60075846	Shock Absorber	5
KUD20.9	20	60075847	Bearing	1
KUD20.9	21	60075848	Rotor	1
KUD20.9	22	60075849	Screw	2
KUD20.9	23	60075850	Bearing Plate	1
KUD20.9	24	60075851	Bearing	1
KUD20.9	25	60075852	Balance Wind Blade	1
KUD20.9	26	60075853	Washer	1
KUD20.9	27	60075854	Bearing Seat	1
KUD20.9	28	60075855	Washer	1
KUD20.9	29	60075856	Bearing	1
KUD20.9	30	60075857	Washer	1
KUD20.9	31	60075858	Washer	1
KUD20.9	32	60075859	Screw	1
KUD20.9	33	60075860	Brake Ring	1
KUD20.9	34	60075861	Plate	1
KUD20.9	35	60075862	Bottom Plate	1
KUD20.9	36	60075863	Washer	4
KUD20.9	37	60075864	Washer	4
KUD20.9	38	60075865	Screw	4
KUD20.9	101	60075866	Base Assembly	1
KUD20.9	102	60075867	Rotor Assembly	1
KUD20.9	103	60075868	Ash Nozzle + Knob Assembly	1