

Kress

KUE15



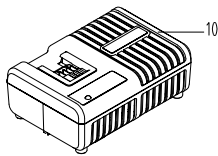
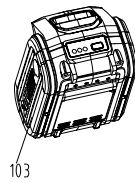
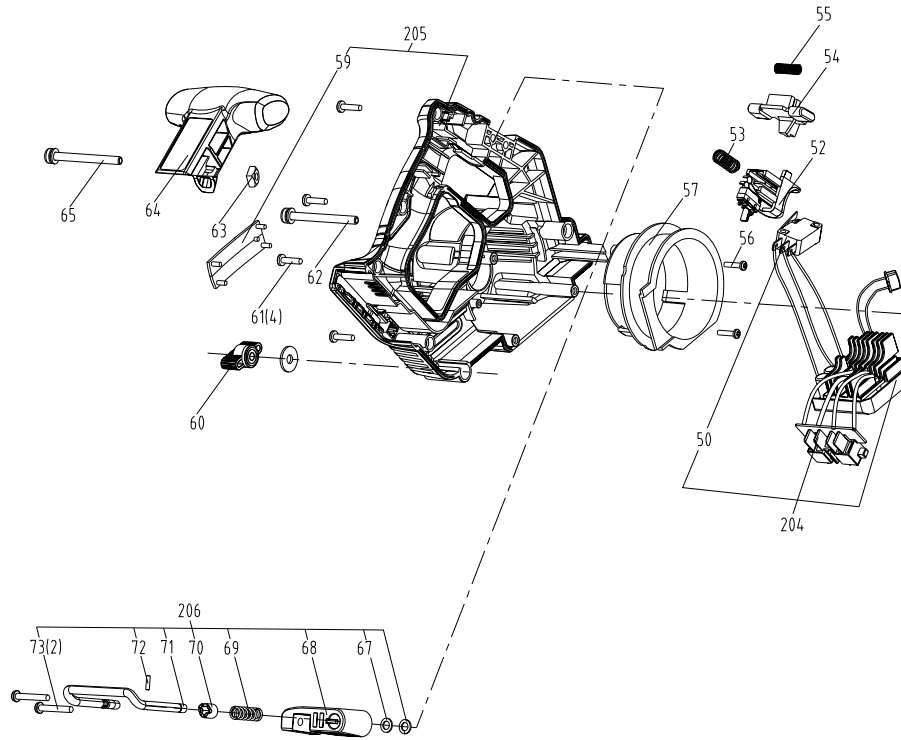
Spare parts list

| Model | Position | Part number | Description | Quantity | Model | Position | Part number | Description | Quantity |
|-------|----------|-------------|-----------------------------|----------|-------|----------|-------------|---|----------|
| KUE15 | 1 | 59005147 | Flange Screw | 1 | KUE15 | 63 | 59005170 | Nut M5 | 1 |
| KUE15 | 2 | 59005159 | Outer Flange | 1 | KUE15 | 64 | 59005138 | Auxiliary Handle Assembly | 1 |
| KUE15 | 3 | 59005175 | Blade | 1 | KUE15 | 65 | 59005168 | Screw M5X40 | 1 |
| KUE15 | 4 | 59005129 | Inner Flange | 1 | KUE15 | 67 | 59002748 | Washer | 1 |
| KUE15 | 6 | 59005189 | Lever | 1 | KUE15 | 68 | 59005265 | Location Block | 1 |
| KUE15 | 7 | 59005165 | Retaining Ring | 1 | KUE15 | 69 | 59005266 | Spring | 1 |
| KUE15 | 8 | 59005179 | Lower Guard | 1 | KUE15 | 70 | 59005267 | Orientation Sleeve | 1 |
| KUE15 | 9 | 59005137 | Isolation Ring | 1 | KUE15 | 71 | 59005269 | Hook Wire | 1 |
| KUE15 | 10 | 59005130 | Screw M5X14 | 3 | KUE15 | 72 | 59005270 | Taper Pin | 1 |
| KUE15 | 11 | 59005258 | Gear cover | 1 | KUE15 | 73 | 59005190 | Self Tapping Screw St4.8X32 | 2 |
| KUE15 | 12 | 59005259 | Output Shaft | 1 | KUE15 | 74 | 59005181 | Guide Ruler | 1 |
| KUE15 | 13 | 59005260 | Ball Bearing | 1 | KUE15 | 75 | 59001232 | Screw M4*10 | 4 |
| KUE15 | 14 | 59005261 | Thread Sleeve | 1 | KUE15 | 76 | 59005178 | Screw M5X8 | 1 |
| KUE15 | 15 | 59005262 | Gear | 1 | KUE15 | 77 | 59005271 | Base Plate | 1 |
| KUE15 | 16 | 59005263 | Self Tapping Screw ST4.2X50 | 3 | KUE15 | 78 | 59005272 | Rivet | 3 |
| KUE15 | 17 | 59005184 | Screw M5X16 | 6 | KUE15 | 79 | 59005273 | Depth Bracket | 1 |
| KUE15 | 18 | 59005132 | Screw M6X20 | 1 | KUE15 | 80 | 59005274 | Washer | 3 |
| KUE15 | 19 | 59005155 | Rubber Ring | 1 | KUE15 | 81 | 59005275 | Baffle | 1 |
| KUE15 | 20 | 59005173 | Connect Pipe | 1 | KUE15 | 82 | 59005276 | Angle Bracket | 1 |
| KUE15 | 21 | 59005172 | Screw M4X10 | 2 | KUE15 | 83 | 59005277 | Front Bracket | 1 |
| KUE15 | 22 | 59005123 | Dust Tube | 1 | KUE15 | 84 | 59005176 | Plate | 1 |
| KUE15 | 23 | 59005187 | Spring | 1 | KUE15 | 85 | 59003371 | Washer | 1 |
| KUE15 | 24 | 59005186 | Spring Pin | 1 | KUE15 | 86 | 59005166 | Screw M4X6 | 1 |
| KUE15 | 25 | 59005134 | Bottom Fixed Guard | 1 | KUE15 | 87 | 59005192 | Pointer Seat | 1 |
| KUE15 | 26 | 59005124 | Screw | 1 | KUE15 | 88 | 59005152 | Pointer | 1 |
| KUE15 | 27 | 59001641 | Washer | 3 | KUE15 | 89 | 59005182 | Spring | 1 |
| KUE15 | 28 | 59000779 | Nut M5 | 1 | KUE15 | 90 | 59005171 | Pointer Cover | 1 |
| KUE15 | 29 | 59005127 | Spring | 1 | KUE15 | 91 | 59005278 | Washer | 2 |
| KUE15 | 30 | 59005180 | Spacer | 1 | KUE15 | 92 | 59005151 | Screw M3X8 | 2 |
| KUE15 | 31 | 59005154 | Depth Bracket | 1 | KUE15 | 93 | 59002222 | E-Ring | 1 |
| KUE15 | 32 | 59005188 | Screw M5X14 | 1 | KUE15 | 94 | 59005153 | Nut | 1 |
| KUE15 | 33 | 59005161 | Spacer | 1 | KUE15 | 95 | 59005135 | Lever li | 1 |
| KUE15 | 34 | 59005169 | Spacer | 1 | KUE15 | 96 | 59005149 | Screw | 1 |
| KUE15 | 35 | 59005160 | Feltseal | 1 | KUE15 | 97 | 59005191 | Spring | 1 |
| KUE15 | 36 | 59005183 | Compression Spring | 1 | KUE15 | 98 | 59005177 | Lever | 1 |
| KUE15 | 37 | 59005162 | Lock Lever | 1 | KUE15 | 99 | 59005133 | Self Tapping Screw St4.2X8 | 1 |
| KUE15 | 38 | 59002971 | Knob Cover | 1 | KUE15 | 100 | 59005158 | Wrench Positioning Block | 1 |
| KUE15 | 39 | 59005125 | Ball Bearing | 1 | KUE15 | 101 | 59002939 | Spanner | 1 |
| KUE15 | 40 | 59005145 | Gear Case Body | 1 | KUE15 | 102 | 59005144 | Rubber Stoptr | 1 |
| KUE15 | 42 | 59005131 | Screw M5X10 | 1 | KUE15 | 103 | 59001899 | Battery(Li-ion,20V,4.0Ah)KAB21 | 1 |
| KUE15 | 43 | 59002639 | Screw Washer Assembly | 1 | KUE15 | 104 | 59001901 | Charger(100-240V~50/60Hz,20V,160W)KAC21 | 1 |
| KUE15 | 44 | 59005164 | Gear | 1 | KUE15 | 201 | 59005150 | Gear Set | 1 |
| KUE15 | 45 | 59005142 | Shaft Cover | 1 | KUE15 | 202 | 59005279 | Gear Set | 1 |
| KUE15 | 46 | 59005156 | O-Rings | 1 | KUE15 | 203 | 59005280 | Motor Set | 1 |
| KUE15 | 47 | 59005126 | Motor | 1 | KUE15 | 204 | 59005174 | Control Board Set | 1 |
| KUE15 | 48 | 59005146 | Baffle | 1 | KUE15 | 205 | 59005139 | Left/Right Handle | 1 |
| KUE15 | 50 | 59002084 | Switch | 1 | KUE15 | 206 | 59005167 | Hook Set | 1 |
| KUE15 | 52 | 59005141 | Switch Lever | 1 | KUE15 | 207 | 59005163 | Base Plate Set | 1 |
| KUE15 | 53 | 59003210 | Compression Spring | 1 | KUE15 | 208 | 59005157 | Angle Bracket Set | 1 |
| KUE15 | 54 | 59005136 | Switch Lock Button | 1 | | | | | |
| KUE15 | 55 | 59005128 | Compression Spring | 1 | | | | | |
| KUE15 | 56 | 59005140 | Screw St4.2X16 | 2 | | | | | |
| KUE15 | 57 | 59005148 | Baffle | 1 | | | | | |
| KUE15 | 59 | 59005264 | Decorative Cover | 1 | | | | | |
| KUE15 | 60 | 59004044 | Locking Knob | 1 | | | | | |
| KUE15 | 61 | 59002037 | Self Tapping Screw | 5 | | | | | |
| KUE15 | 62 | 59005143 | Screw M5X50 | 1 | | | | | |

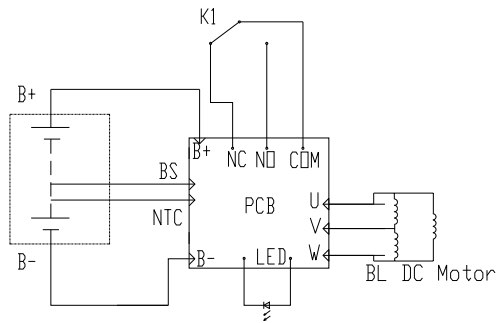
Circular Saw 20V BL 185mm

Version:00
Date:230602

Illustr



Electric circuit



ation

