

# Kress

## KUC35



## Spare parts list

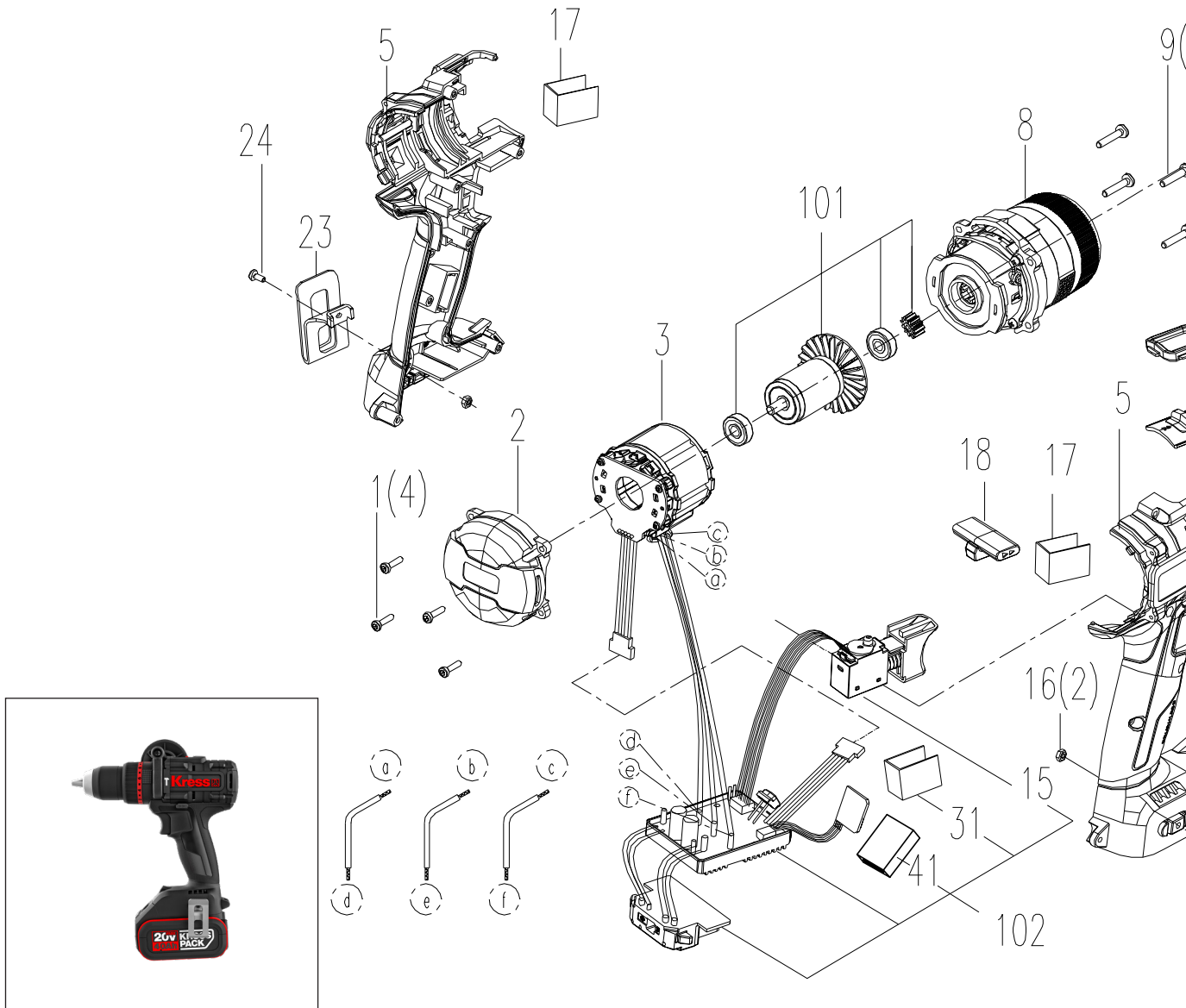
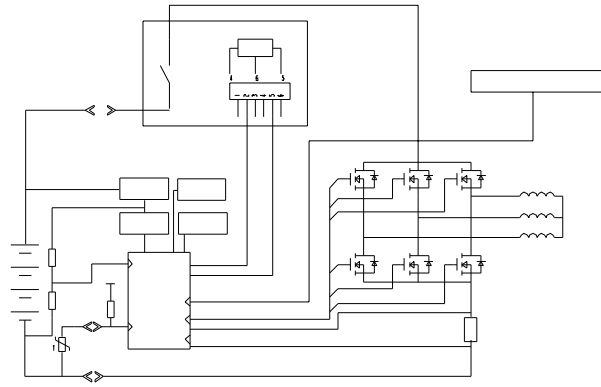
Model	Position	Part number	Description	Quantity
KUC35	1	59002403	Self Tapping Screw ST2.9*13	4
KUC35	2	59003934	Rear Housing Body	1
KUC35	3	59003940	Stator	1
KUC35	5	59003946	Left/Right Housing	1
KUC35	8	59003939	Gear Case	1
KUC35	9	59002337	Screw 3.5x16	4
KUC35	10	59003943	Drill Chuck	1
KUC35	11	59003942	Screw	1
KUC35	15	59003994	Switch	1
KUC35	16	59003935	Nut M3	2
KUC35	17	59004002	EPE	2
KUC35	18	59003933	F/R Button	1
KUC35	20	59003936	Gear Changing Lever	1
KUC35	21	59003947	Decorative Cover	1
KUC35	22	59000025	Self Tapping Screw	7
KUC35	23	59005490	Cable Hook	1
KUC35	24	59000079	Screw	2
KUC35	25	59001168	Bits Holder	1
KUC35	26	59004005	Clamp 2	1
KUC35	26	59005069	Clamp 2	1
KUC35	27	59004006	Clamp 1	1
KUC35	27	59005065	Clamp 1 Component	1
KUC35	28	59005070	Handle Body Connecting Rod Assembly	1
KUC35	28	59003995	Linkage	1
KUC35	31	59001654	Foamy Board	1
KUC35	32	59001367	Circilp	1
KUC35	33	59001899	Battery(Li-ion,20V,4.0Ah)KAB21	1
KUC35	34	59001901	Charger(100-240V~50/60Hz,20V,160W)KAC21	1
KUC35	40	59003281	Screw	1
KUC35	41	59004683	Foamy Board	1
KUC35	42	59005170	Nut M5	1
KUC35	43	59005426	Lock Button	1
KUC35	44	59005427	Parallel guide	1
KUC35	101	59004003	Rotor Set	1
KUC35	102	59004004	Control Board	1
KUC35	103	59003944	Side Handle	1
KUC35	104	59003996	Bits Holder	1

# Hammer Drill 20V BL 150Nm

Version:00  
Date:230707

Illustr

## Electric circuit



ation

