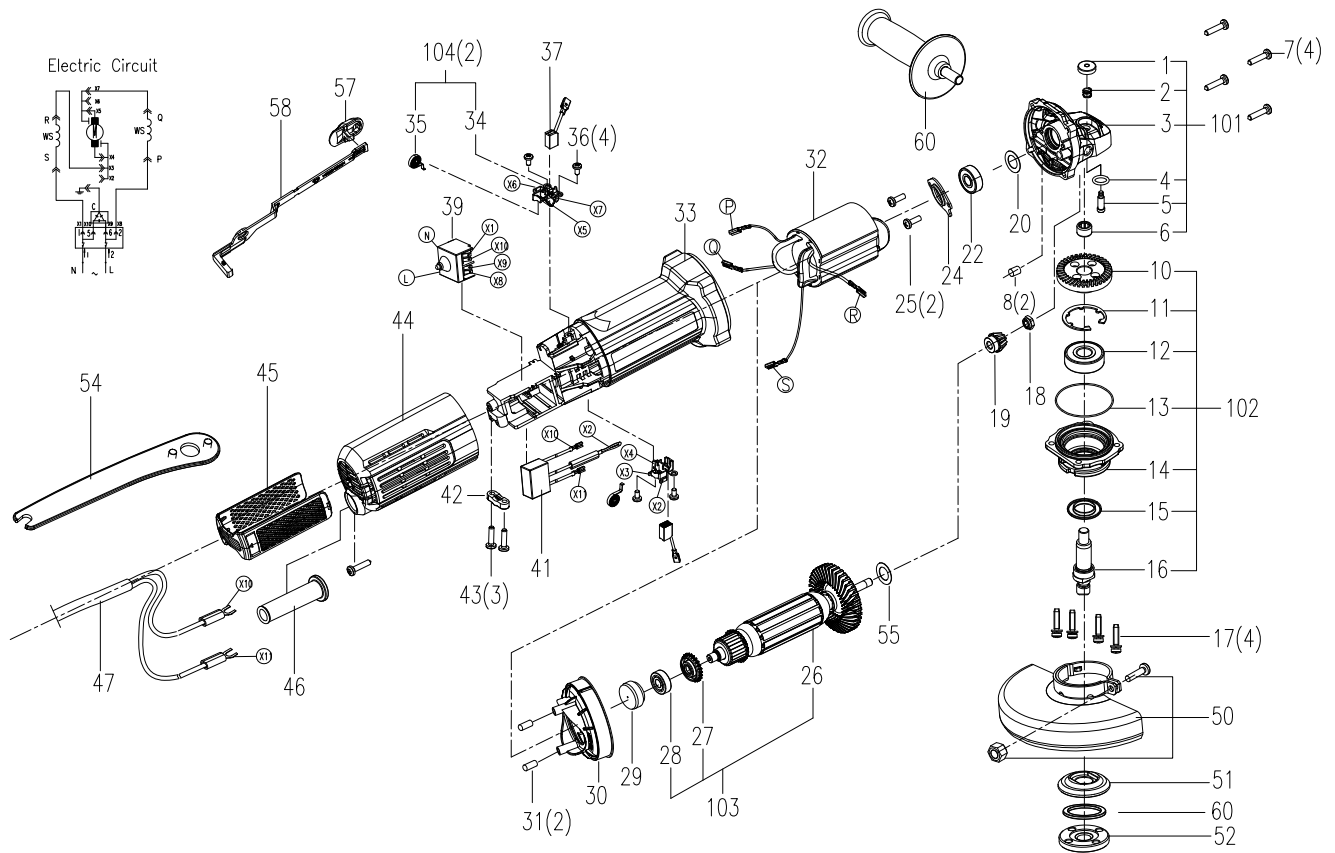


Kress 



KUS10P



Posición	Referencia	Cantidad	Descripción
1	59000734	1	Spindle Lock
2	59000733	1	Spring
3	59001106	1	Fore Housing
4	59000339	1	O-Rings
5	59000746	1	Small Shaft
6	59000769	1	Needle bearing
7	59000560	4	Self Tapping Screw
8	59000576	2	Felt Seal
10	59000739	1	Main Gear
11	59000752	1	Ring
12	59000760	1	Bearing 6201LLU
13	59000754	1	Seal ring
14	59000908	1	Fore Cover
15	59000736	1	Washer
16	59000930	1	Spindle
17	59000825	4	Screw
18	59000753	1	Nut M6
19	59000757	1	Pinion
20	59000763	1	Washer

Posición	Referencia	Cantidad	Descripción
22	59000935	1	Bearing 608
24	59000923	1	Press plate
25	59000767	2	Screw
26	59001927	1	Rotor
27	59000916	1	DustProof Ring
28	59001114	1	Ball Bearing 607-2RS
29	59000926	1	Bearing Sleeve
30	59001115	1	Wind Baffle Ring
31	59000913	2	Rubber Pin
32	59001929	1	Stator
33	59001111	1	Left/Right Housing
36	59000632	4	Self Tapping Screw
37	59000986	1	Carbon Brush(pair)
39	59001653	1	Switch
41	59001652	1	Capacitor
42	59000931	1	Cord Clamp
43	59000939	3	Self Tapping Screw ST4.2*13
44	59001107	1	Housing Cover
45	59001108	1	Dust Cover
46	59000911	1	Cord Protector
47	59002829	1	Power Cord
47	59001651	1	Power Cord
50	59000922	1	Wheel guard No-SDS Unit
51	59000929	1	Inner flange
52	59000918	1	Outer flange
54	59000932	1	Spanner
55	59001116	1	Washer 8.2
57	59000934	1	Trigger
58	59001117	1	Switch lever
60	59000826	1	Side Handle
61	59000936	1	O ring
101	59001119	1	Fore Housing Set
102	59001120	1	Fore Cover Set
103	59001928	1	Rotor Set
110	59000938	1	Brush Holder Set
111	59000924	1	Brush Holder Set