

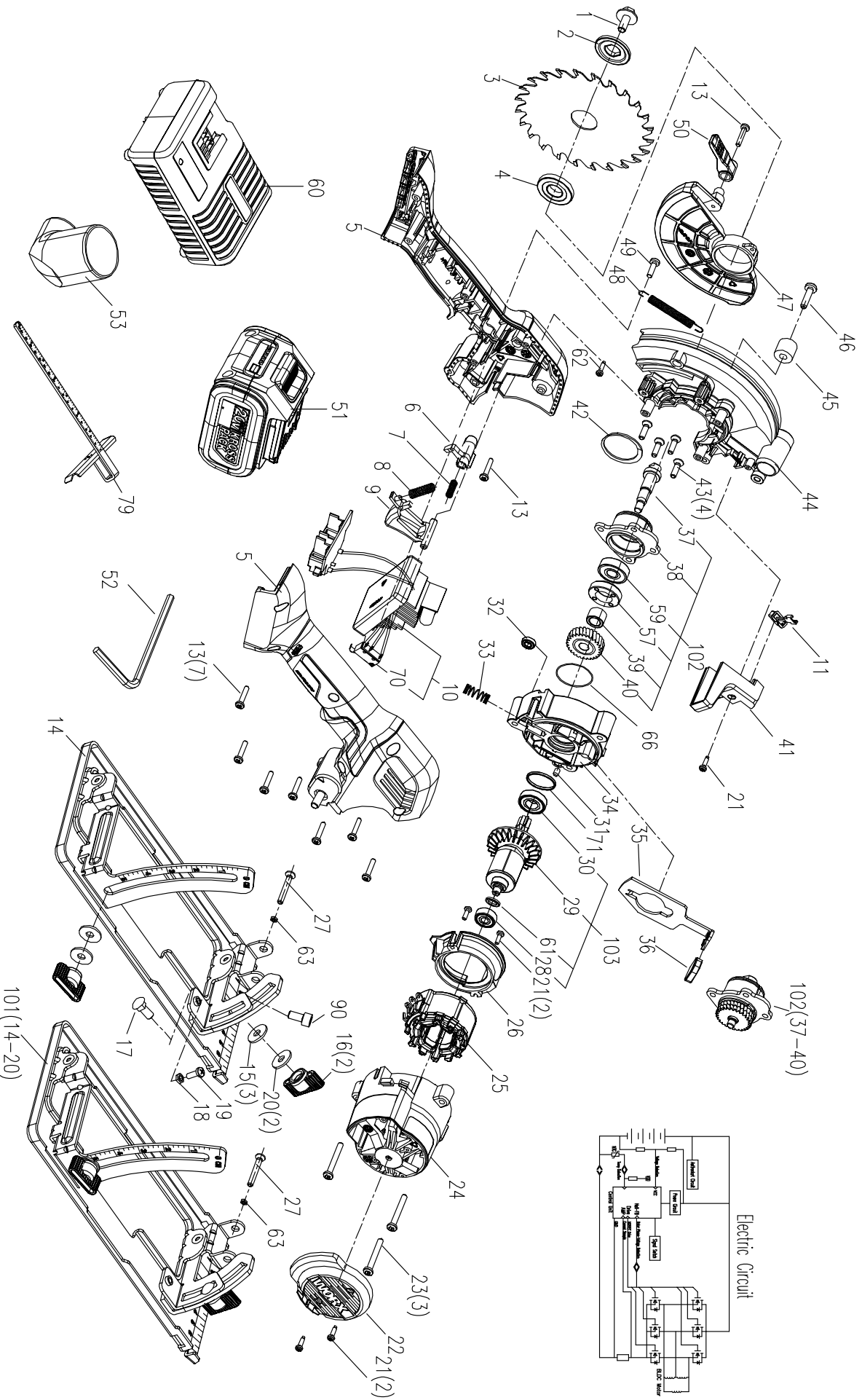
# Kress



**KUE11 / KUE11.91**

# KUE11

Version:01  
Date:210722



Posición	Referencia	Cantidad	Descripción
1	59002966	1	Bolt
2	59002934	1	Outer Flange
3	59002863	1	Saw Blade
4	59002946	1	Inner Flange
5	59002928	1	Handle
6	59002962	1	Switch Lock Button
7	59002964	1	Compression Spring
8	59002024	1	Compressionspring
9	59002950	1	Switch Lever
10	59002973	1	PCB
11	59002952	1	Light
13	59002967	8	Self Tapping Screw
14	59002969	1	Base Set
15	59001641	3	Washer
16	59002092	2	Locking Knob
17	59002949	1	Bolt
18	59001735	1	Nut
19	59001736	1	Screw M4*12
20	59002958	2	Ripple Washer
21	59001287	5	Self Tapping Screw ST2.9*10
22	59002940	1	Rear Cover
23	59001102	3	Self Tapping Screw ST4.2*35
24	59002959	1	Motor Houseing
25	59002974	1	Stator
26	59002936	1	Wind Baffle Ring
27	59002963	1	Bolt
28	59002956	1	Bearing
29	59002975	1	Rotor
30	59002970	1	Ball Bearing
31	59002965	1	Rubber Pin
32	59002935	1	Bearing
33	59002941	1	Spring
34	59002931	1	Gear Box
35	59002942	1	Locking Shaft Piece

Posición	Referencia	Cantidad	Descripción
36	59002971	1	Knob Cover
37	59002961	1	Spindle
38	59002955	1	Gear Box Cover
39	59002957	1	Shaft Cover
40	59002953	1	Main Gear
41	59002932	1	Cover
42	59002930	1	Retaining Ring
43	59000767	4	Screw
44	59002948	1	Fixed Guard
45	59001712	1	Retaining ring
46	59002944	1	Self Tapping Screw
47	59002968	1	Movable Guard
48	59002933	1	Extension Spring
49	59002929	1	Self Tapping Screw ST3.9X20
50	59002960	1	Dynamic Guard Locker
51	59001899	1	Battery(Li-ion,20V,4.0Ah)KAB21
52	59002939	1	Spanner
53	59001700	1	Dust Tube II Ø35
57	59002951	1	Bearing Sleeve
59	59002938	1	Ball Bearing 609-2RS
60	59001901	1	Charger(100-240V~50/60Hz,20V,160W)KAC21
61	59002945	1	Compression Ring
62	59002025	1	Selftappingscrew
63	59001307	1	Locknut M4
66	59002947	1	O Ring
70	59002423	1	Switch
71	59002937	1	Seal Ring
79	59001640	1	Parallel guide
90	59001632	1	Screw M6*10
101	59002976	1	Base Set
102	59002977	1	Gear Box Cover Set
103	59002978	1	Rotor set