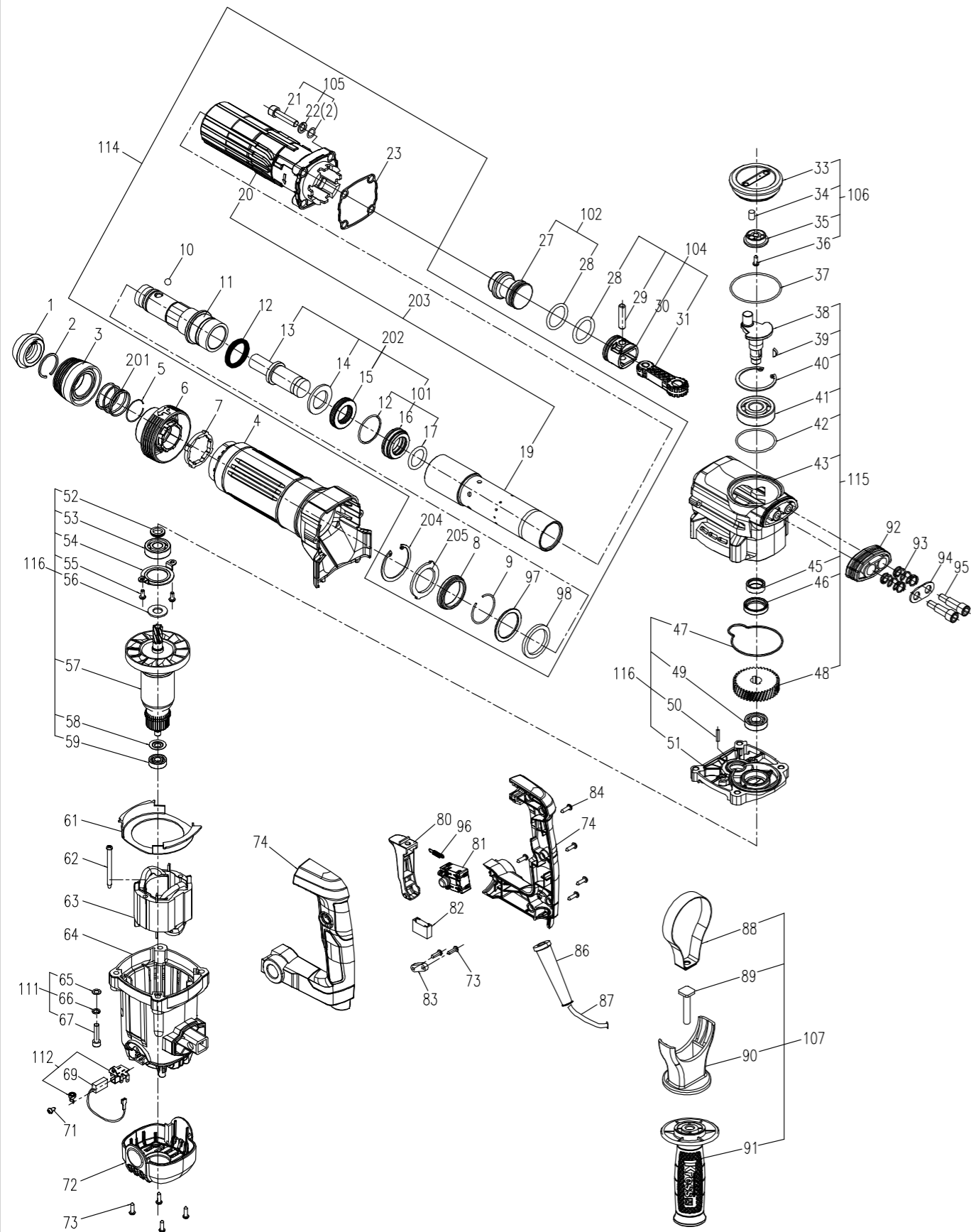


Kress 



KUX35P



| Posición | Referencia | Cantidad | Descripción |
|----------|------------|----------|-------------------------------------|
| 1 | 60058600 | 1 | Rubber Head |
| 2 | 60058601 | 1 | Retaining Ring 27.5*2 |
| 3 | 60058602 | 1 | Steel Ball Rack |
| 4 | 60050935 | 1 | Carcasa |
| 5 | 60058603 | 1 | Retaining Ring 28*1.6 |
| 6 | 60058604 | 1 | Angle adjustment sleeve |
| 7 | 60058605 | 2 | Positioning plate |
| 8 | 60050936 | 1 | Sleeve Ring |
| 9 | 60050937 | 1 | Washer |
| 10 | 60045936 | 6 | Bola de acero |
| 11 | 60058615 | 1 | Sleeve |
| 12 | 60055363 | 1 | X Ring |
| 13 | 60058616 | 1 | Block Stamp |
| 14 | 60045940 | 1 | Block Stamp Washer |
| 15 | 60045941 | 1 | Anillo de amortiguación de impactos |
| 16 | 60045942 | 1 | Ram seat |
| 17 | 60045943 | 1 | Junta tórica 24 |
| 19 | 60050939 | 1 | Cilindro |
| 20 | 60050940 | 1 | Carcasa del cilindro |
| 21 | 60045947 | 4 | Tornillo |
| 22 | 60045948 | 8 | Washer |
| 23 | 60045949 | 1 | Seal ring |
| 27 | 60050941 | 1 | Hammer |
| 28 | 60045954 | 2 | Junta tórica 28 |
| 29 | 60045955 | 1 | Piston Pin |
| 30 | 60051343 | 1 | Pistón |
| 31 | 60051344 | 1 | Linkage |
| 33 | 60045959 | 1 | Cubierta de aceite |
| 34 | 60045960 | 1 | Wool Felt |
| 35 | 60045961 | 1 | Cover |
| 36 | 60045962 | 1 | Self tapping screw |
| 37 | 60045963 | 1 | Junta tórica 55 |
| 38 | 60045964 | 1 | Eje excéntrico |
| 39 | 60045965 | 1 | Semicircular key |
| 40 | 60045966 | 1 | Spring ring |

| Posición | Referencia | Cantidad | Descripción |
|----------|------------|----------|----------------------------|
| 41 | 60045967 | 1 | Bearing 6303 |
| 42 | 60045968 | 1 | Junta tórica 46 |
| 43 | 60050942 | 1 | Caja de engranajes |
| 45 | 60045971 | 1 | Locating sleeve |
| 46 | 60045972 | 1 | Oil Seal |
| 47 | 60045973 | 1 | Seal ring |
| 48 | 60045974 | 1 | Engranaje |
| 49 | 60045975 | 1 | Bearing 6001 |
| 50 | 60045976 | 1 | Fixing pin |
| 51 | 60045977 | 1 | middle cover |
| 52 | 60045978 | 1 | Almohadilla de resistencia |
| 53 | 60045979 | 1 | Bearing 6201 |
| 54 | 60045980 | 1 | Placa de apoyo |
| 55 | 60045981 | 2 | Tornillo M4 |
| 56 | 60045982 | 1 | Arandela plana |
| 57 | 60060579 | 1 | Rotor |
| 58 | 60045984 | 1 | Dust-proof cushion |
| 59 | 60045985 | 1 | Bearing 608 |
| 61 | 60045987 | 1 | Deflector |
| 62 | 60045988 | 2 | Self tapping screw |
| 63 | 60060580 | 1 | Estator |
| 64 | 60045990 | 1 | Carcasa |
| 65 | 60045991 | 4 | Arandela plana |
| 66 | 60045992 | 4 | Arandela de resorte |
| 67 | 60045993 | 4 | Tornillo M6 |
| 69 | 60045995 | 1 | Escobilla de carbón (par) |
| 71 | 60045997 | 2 | Self tapping screw |
| 72 | 60045998 | 1 | Back Cover |
| 73 | 60045999 | 6 | Self tapping screw |
| 74 | 60050945 | 1 | Left/Right handle |
| 80 | 60050946 | 1 | Palanca de cambio |
| 81 | 60050947 | 1 | Switch |
| 82 | 60046008 | 1 | Capacitor |
| 83 | 60046009 | 1 | Abrazadera de cable |
| 84 | 60046010 | 5 | Self tapping screw |

| Posición | Referencia | Cantidad | Descripción |
|----------|------------|----------|-----------------------------------|
| 86 | 60046011 | 1 | Funda de cable |
| 87 | 60060581 | 1 | Cable de alimentación |
| 88 | 60058617 | 1 | Hoop |
| 89 | 60058618 | 1 | Tornillo M8 |
| 90 | 60058606 | 1 | Soporte |
| 91 | 60046016 | 1 | Mango auxiliar |
| 92 | 60050948 | 1 | Cubierta de vibración |
| 93 | 60050949 | 2 | Vibration spring |
| 94 | 60050950 | 1 | Vibration plate |
| 95 | 60050951 | 2 | Vibration bolt |
| 96 | 60050952 | 1 | Interruptor de resorte de tensión |
| 97 | 60051987 | 1 | Disco de apoyo |
| 98 | 60051988 | 1 | Junta anti vibración |
| 101 | 60046017 | 1 | Placa de localización |
| 102 | 60050953 | 1 | Hammer Assembly |
| 104 | 60051346 | 1 | Kit de manivela de pistón |
| 105 | 60046021 | 1 | Perno M8 y arandela |
| 106 | 60046022 | 1 | Oil Cover Assembly |
| 107 | 60058607 | 1 | Auxiliary Handle Set |
| 111 | 60046027 | 4 | Perno M6X50 |
| 112 | 60046028 | 2 | Montaje del portaescobillas |
| 114 | 60058619 | 1 | Conjunto de carcasa de cilindro |
| 115 | 60050956 | 1 | Ensamblaje de caja de engranajes |
| 116 | 60060578 | 1 | Middle cover & Rotor Assembly |
| 201 | 60058608 | 2 | Resorte de compresión |
| 202 | 60058620 | 1 | Ram Assembly |
| 203 | 60051349 | 1 | Ensamblaje del cilindro |
| 204 | 60058609 | 1 | Spring ring |
| 205 | 60058610 | 1 | Anti-Vibration Washer |